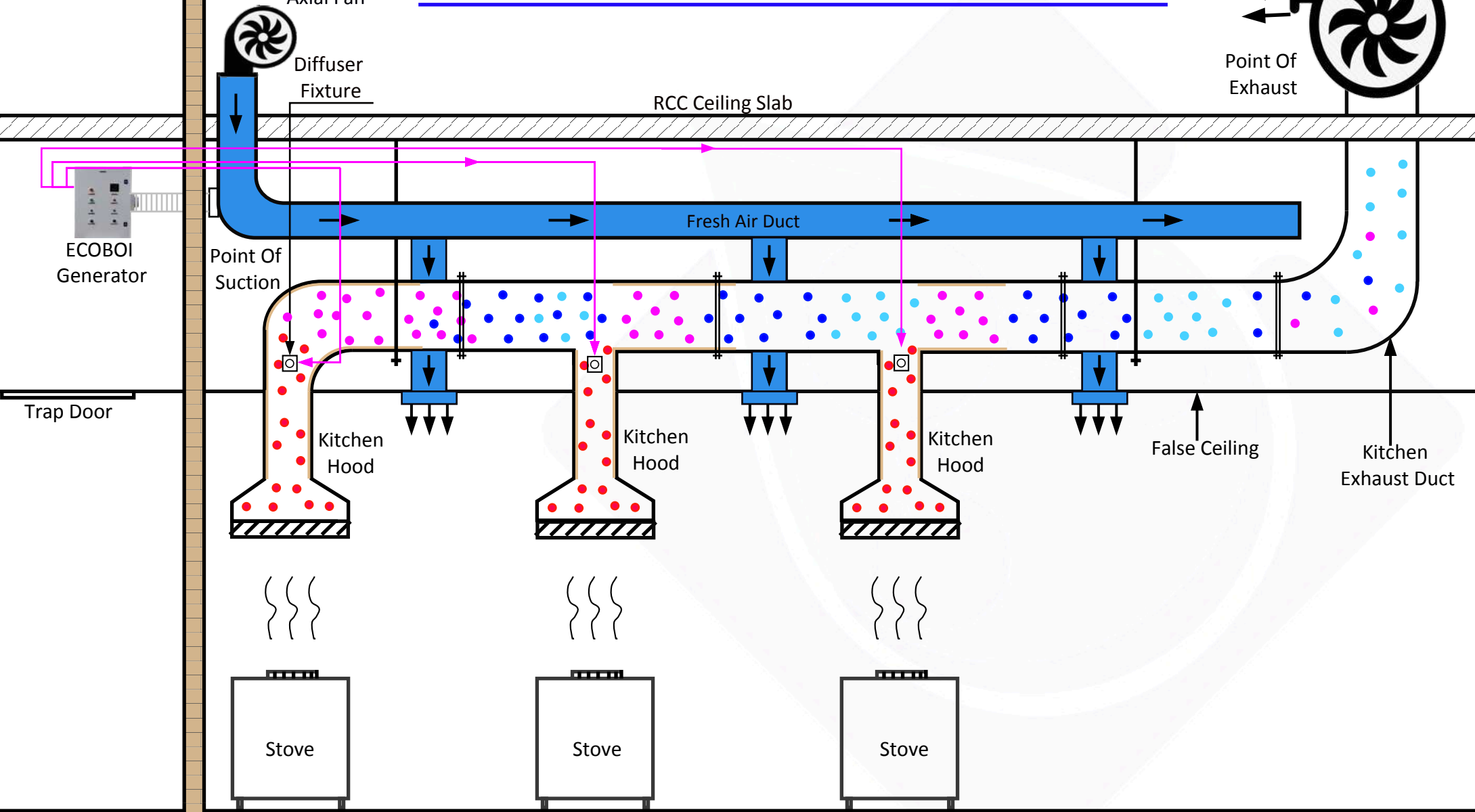


15.5 Multiple Hood With Multipoint Injection For Commercial Kitchen Exhaust Air Oil, Grease and Odor Reduction System



- : Kitchen Exhaust With Oil & Grease
- : Oil & Grease
- : ECOBOI Oxidiser
- : Treated With ECOBOI
- : Further Treated by ECOBOI